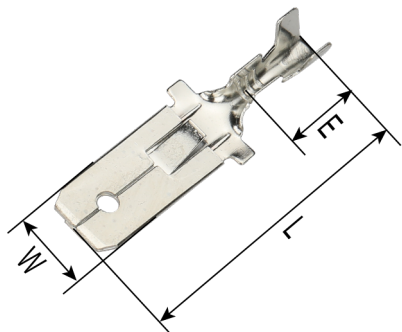


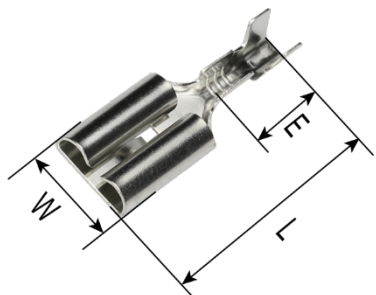
7.8 连接器系列

7.8 Series

A



B



技术参数 Specifications

使用线数(Hole count): 1 2 3

温度范围 (Temperature range): -25°C ~ 85°C

额定电压 (Rated voltage): 300V. AC/DC

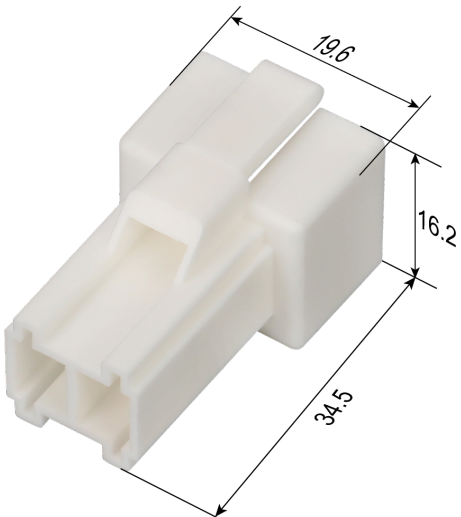
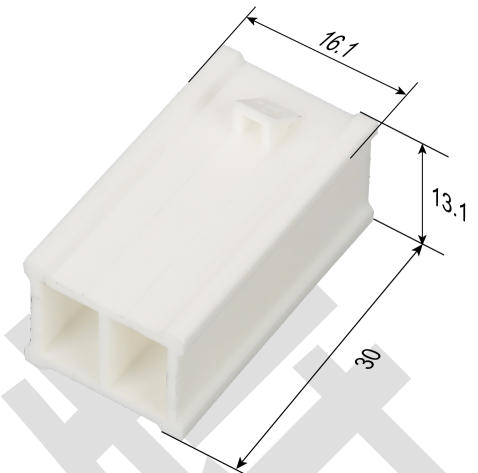
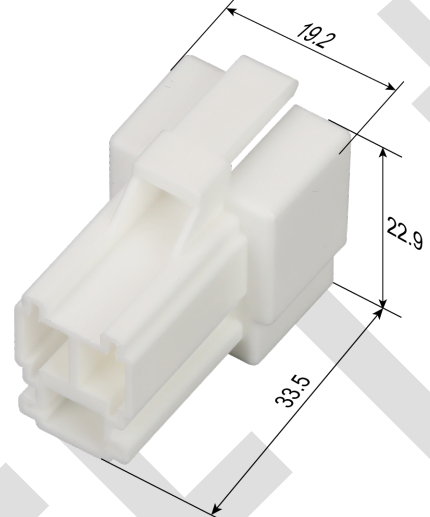
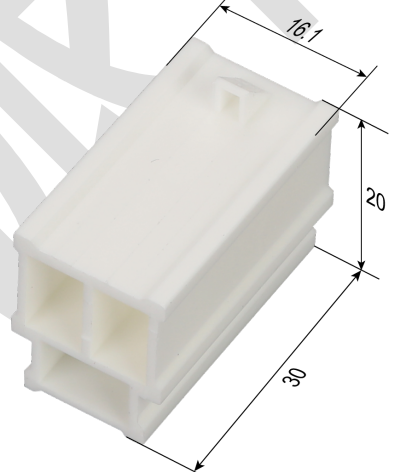
额定电流 (Rated current): 25A~30A

端子 Terminal

| 型号 Type | 图号 Pic | 压线范围 Wire Range | | 厚度 Thickness | 材质 Material | 尺寸 Dimension (mm) | | | 对照表 Comparison No. | 备注 Remark |
|---------------|-----------|--------------------|-----------------|-----------------|----------------|----------------------|-----|-----|-----------------------|--------------|
| | | AWG# | mm ² | | | L | W | E | | |
| DJ611-7.8A-B | A | 17~14 | 0.9~1.8 | 0.4 | 黄铜 | 30.2 | 7.8 | 9.5 | 插头 | |
| DJ611-7.8A-C | | 13~12 | 2.5~3.5 | 0.4 | 黄铜 | 30.2 | 7.8 | 9.5 | 插头 | |
| DJ621-E7.8A-B | B | 17~14 | 0.9~1.8 | 0.4 | 黄铜 | 24.5 | 9.0 | 9.3 | 插座 | |
| DJ621-E7.8A-C | | 13~12 | 2.5~3.5 | 0.4 | 黄铜 | 24.5 | 9.0 | 9.3 | 插座 | |

塑料件 Plastic parts

| 线数 Hole count | 插头 Plug for male terminal | 插座 Receptacle for female terminal |
|------------------|------------------------------|--------------------------------------|
| 1 | <p>DJ7014-7.8-11</p> | <p>DJ7014-7.8-21</p> |

| | | |
|-----------------|--|---|
| <p>2</p> | <p>DJ7021-7.8-11</p>  <p>19.6 16.2 34.5</p> | <p>DJ7021-7.8-21</p>  <p>16.1 13.1 30</p> |
| <p>3</p> | <p>DJ7031-7.8-11</p>  <p>19.2 22.9 33.5</p> | <p>DJ7031-7.8-21</p>  <p>16.1 20 30</p> |